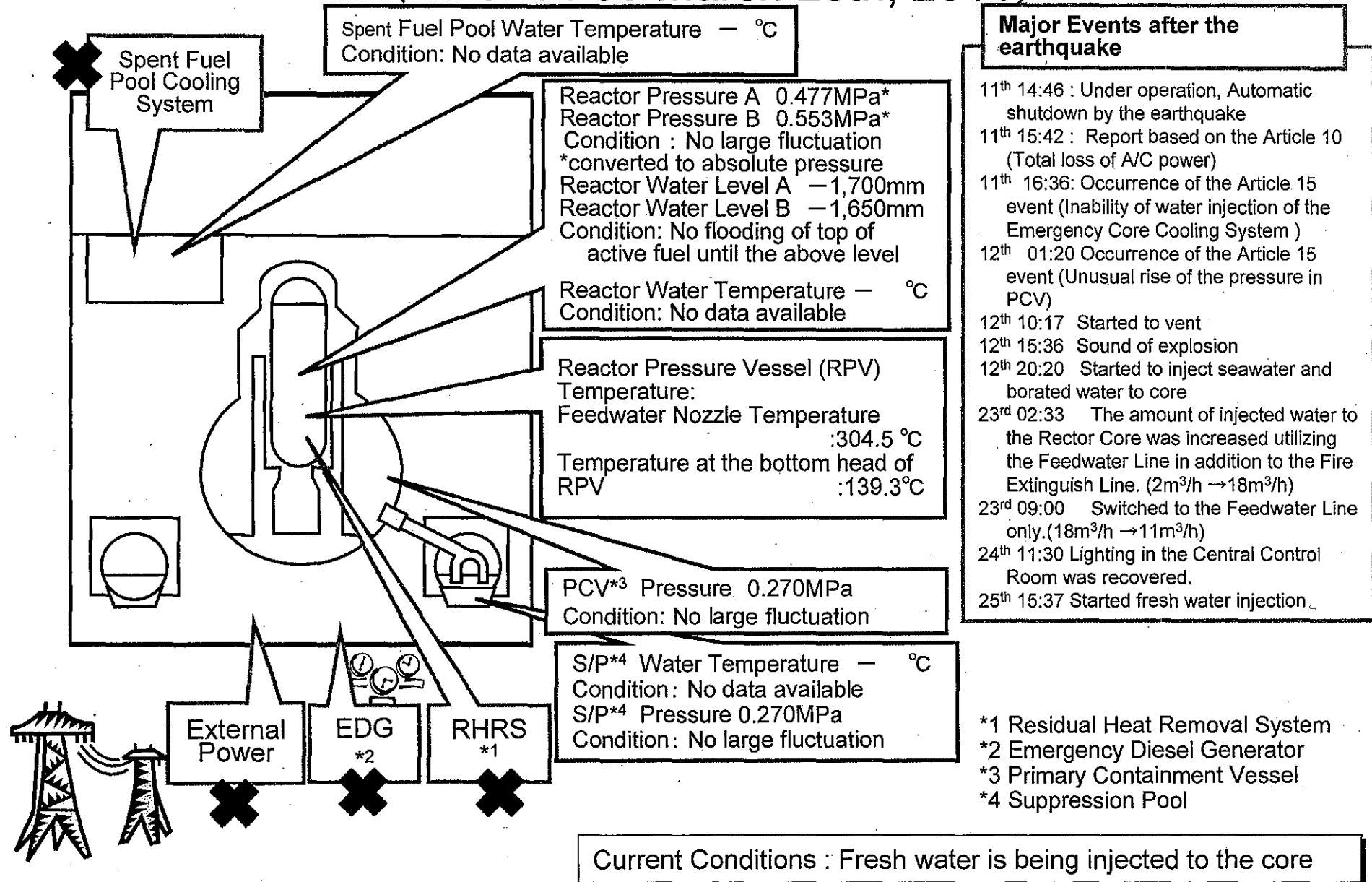
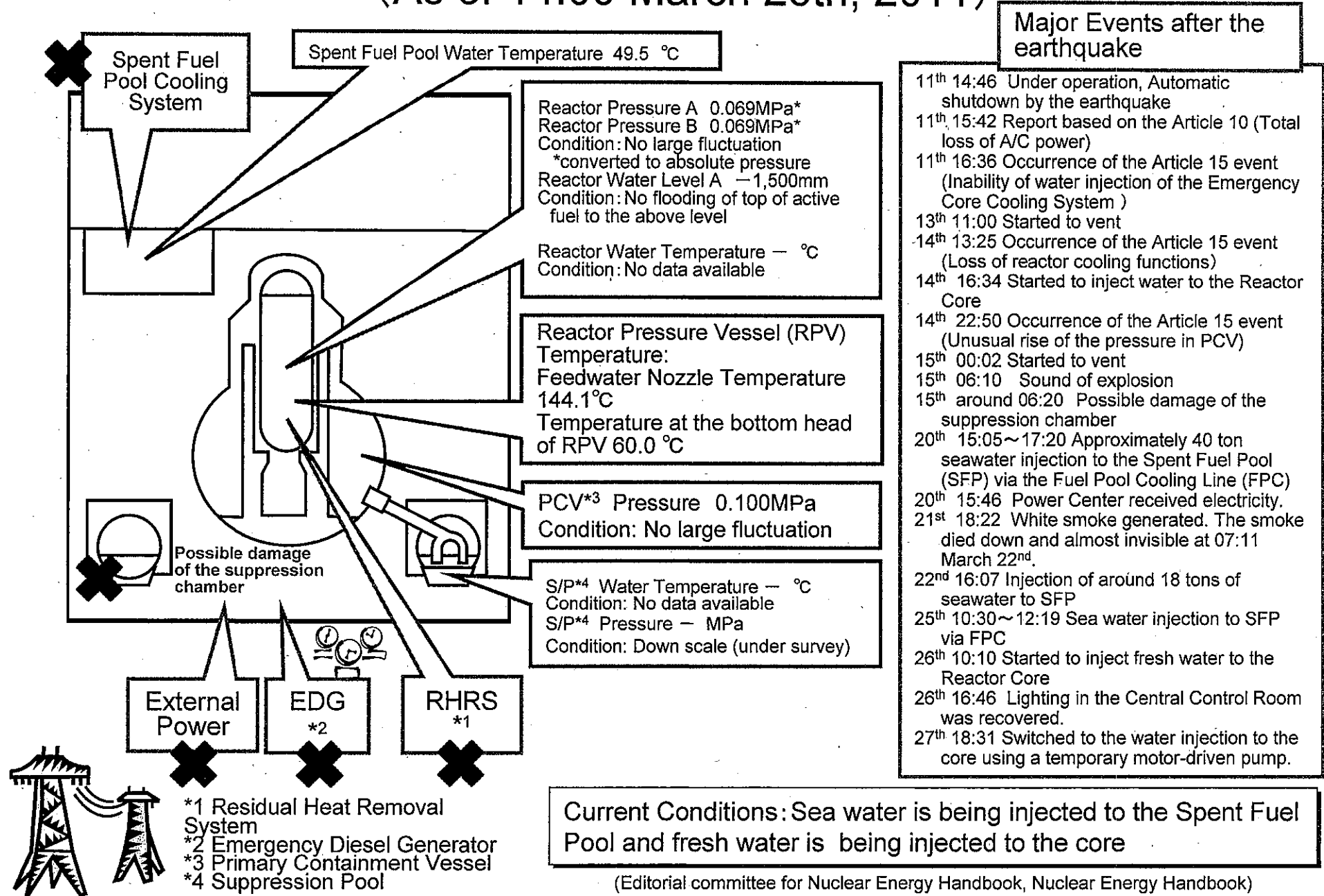


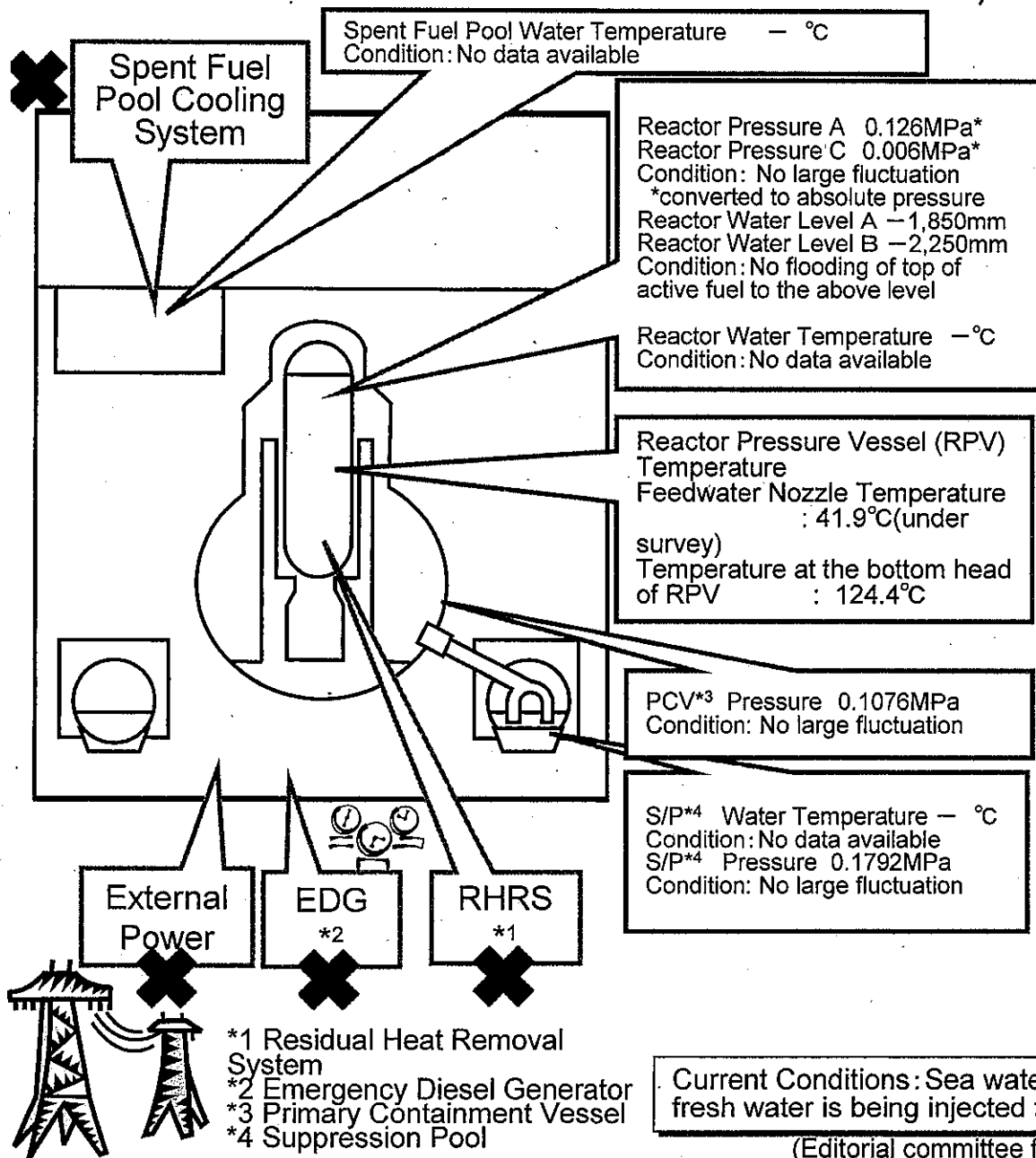
Conditions of Fukushima Dai-ichi Nuclear Power Station Unit 1 (As of 14:00 March 28th, 2011)



Conditions of Fukushima Dai-ichi Nuclear Power Station Unit 2 (As of 14:00 March 28th, 2011)



Conditions of Fukushima Dai-ichi Nuclear Power Station Unit 3 (As of 14:00 March 28th, 2011)

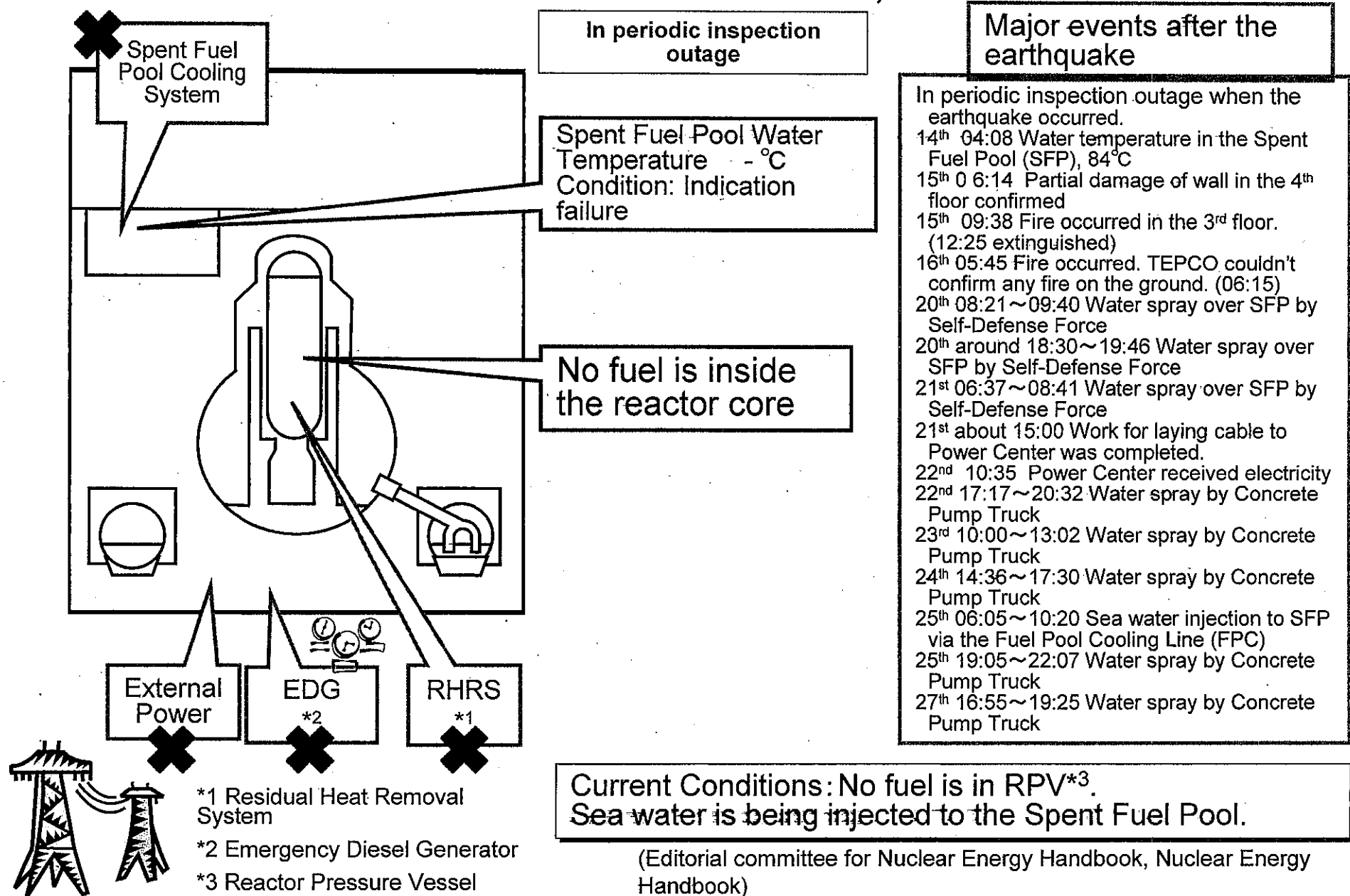


Major Events after the earthquake

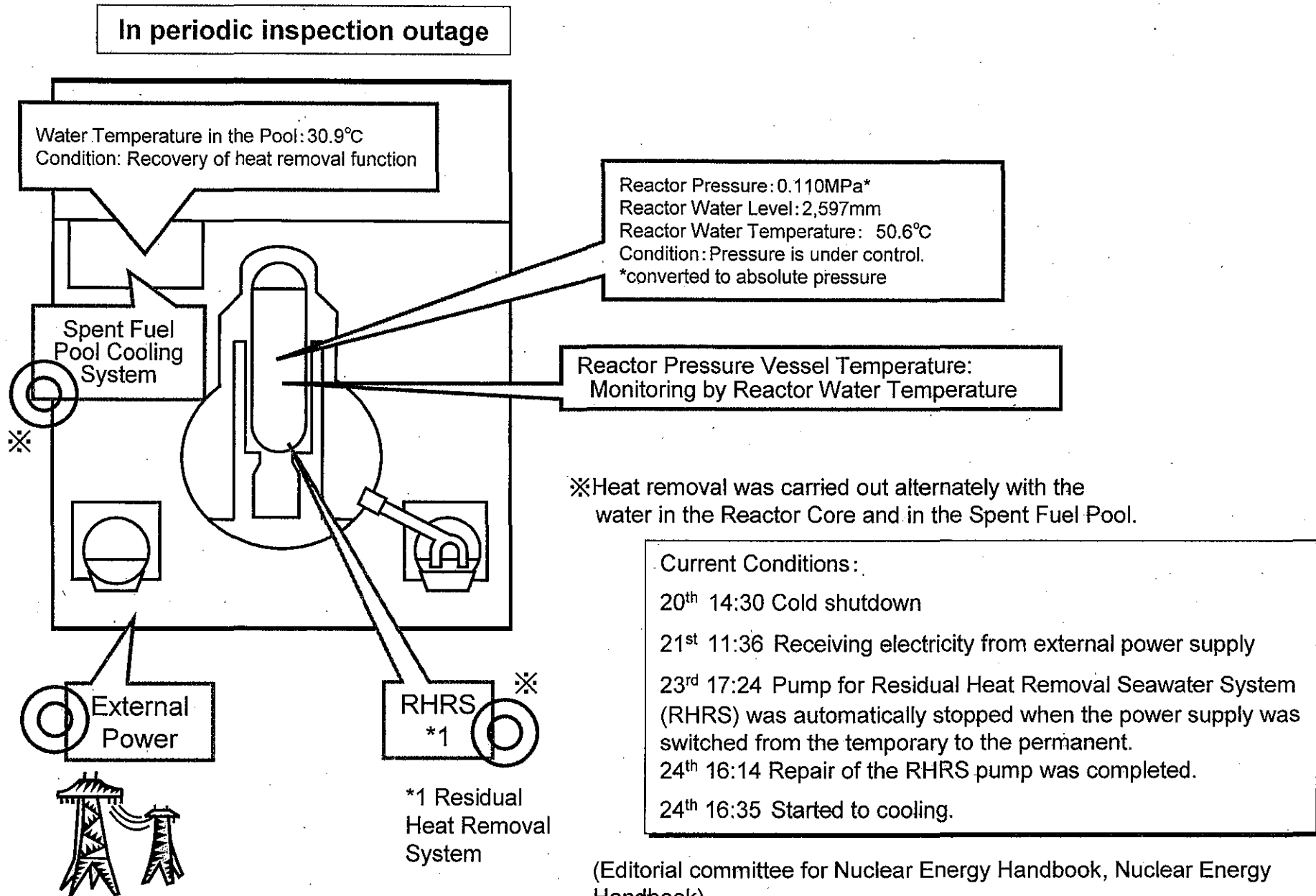
- 11th 14:46 Under operation, Automatic shutdown by the earthquake
- 11th 15:42 Report based on the Article 10 (Total loss of A/C power)
- 13th 05:10 Occurrence of the Article 15 event (Inability of water injection of the Emergency Core Cooling System)
- 13th 08:41 Started to vent
- 13th 13:12 Started to inject seawater and borated water to core
- 14th 05:20 Started to vent
- 14th 07:44 Occurrence of the Article 15 event (Unusual rise of the pressure in PCV)
- 14th 11:01 Sound of explosion
- 16th around 08:30 White smoke generated.
- 17th 09:48~10:01 Water discharge by the helicopters of Self-Defense Force
- 17th 19:05~20:09 Water spray from the ground by High pressure water-cannon trucks
- 18th before 14:00~14:38 Water spray from the ground by 6 fire engines of Self-Defense Force
- 18th ~14:45 Water spray from the ground by a fire engine of the US Military
- 19th 00:30 ~01:10 Water spray by Hyper Rescue Unit of Tokyo Fire Department
- 19th 14:10 ~ 20th 03:40 Water spray by Hyper Rescue Unit of Tokyo Fire Department
- 20th 11:00 Pressure of PCV rose(320kPa).Afterward fell.
- 20th 21:36 ~ 21st 03:58 Water spray by Hyper Rescue Unit of Tokyo Fire Department
- 21st about 15:55 Grayish smoke generated and was confirmed to be died down at 17:55.
- 22nd 15:10 ~16:00 Water spray by Hyper Rescue Unit of Tokyo Fire Department and Osaka City Fire Bureau.
- 22nd 22:46 Lighting in the Central Control Room was recovered.
- 23rd 11:03 ~13:20 Injection of about 35ton of sea water to the Spent Fuel Pool (SFP) via the Fuel Pool Cooling Line (FPC)
- 23rd around 16:20 Black smoke generated and was confirmed to died down at around 23:30 and 24th 04:50.
- 24th 05:35~16:05 Approximately 120 ton sea water injection to SFP via FPC
- 25th 13:28~16:00 Water spray by Kawasaki City Fire Bureau supported by Tokyo Fire Department
- 25th 18:02 Started fresh water injection to the core
- 27th 12:34~14:36 Water spray by Concrete Pump Truck

Current Conditions: Sea water is being injected to the Spent Fuel Pool and fresh water is being injected to the core

Conditions of Fukushima Dai-ichi Nuclear Power Station Unit 4 (As of 14:00 March 28th, 2011)

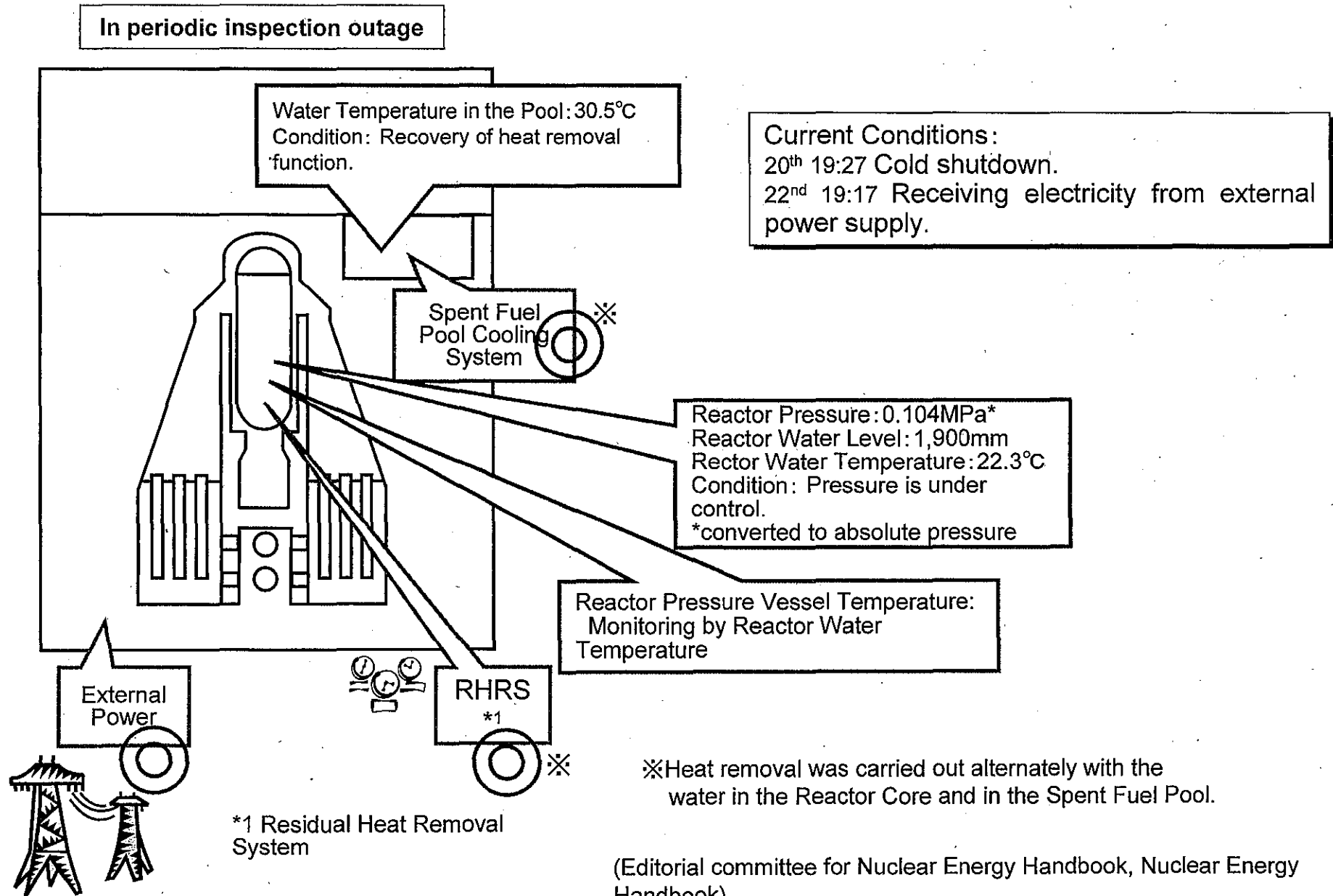


Conditions of Fukushima Dai-ichi Nuclear Power Station Unit 5 (As of 14:00 March 28th, 2011)



(Editorial committee for Nuclear Energy Handbook, Nuclear Energy Handbook)

Conditions of Fukushima Dai-ichi Nuclear Power Station Unit 6 (As of 14:00 March 28th, 2011)



(Editorial committee for Nuclear Energy Handbook, Nuclear Energy Handbook)