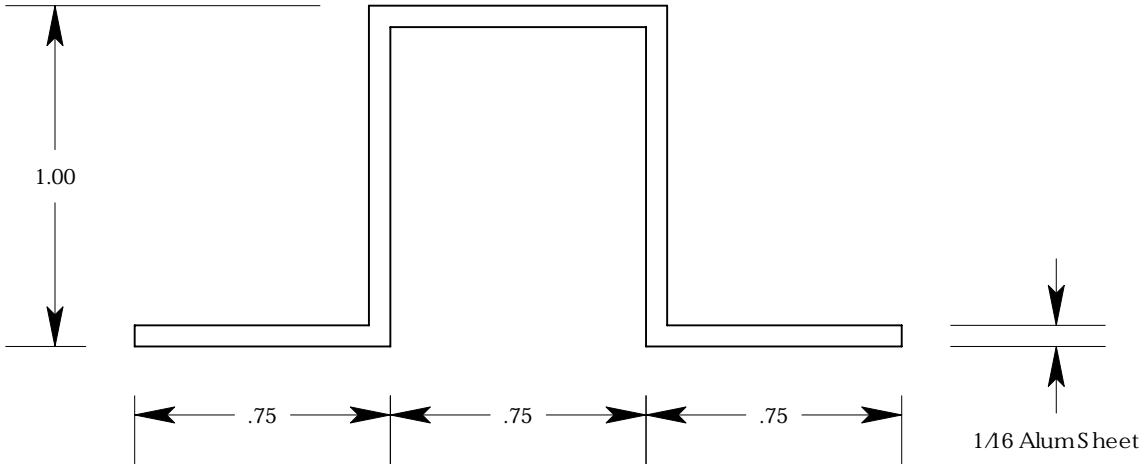
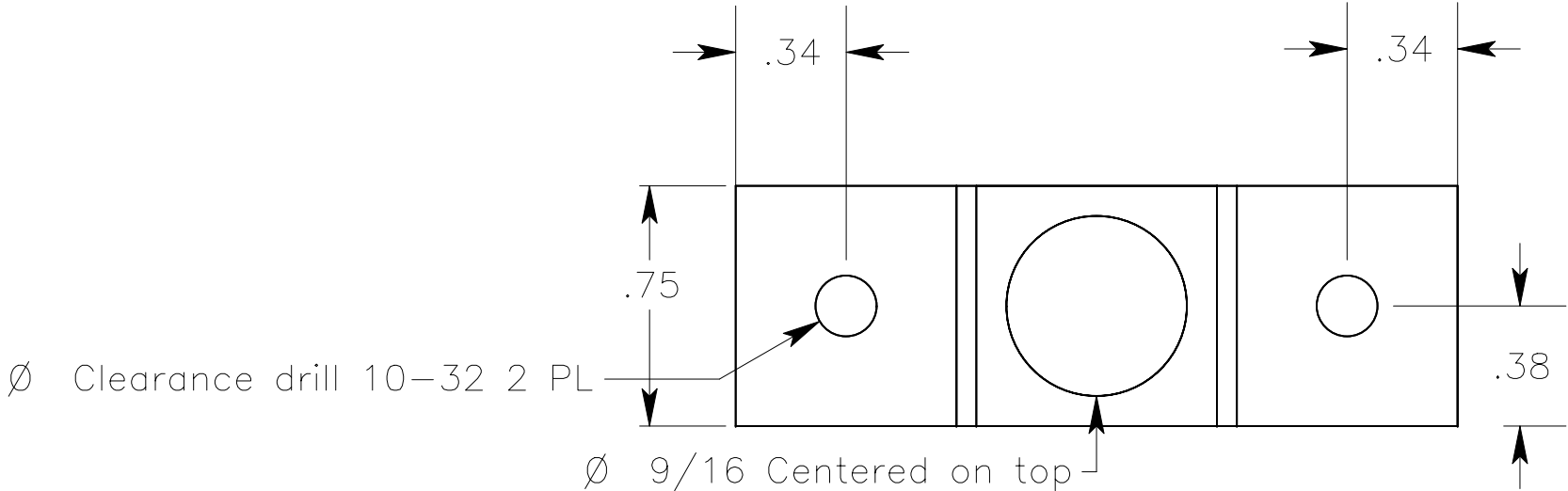


Pressure Cell LT: Valve Bracket



Tolerances :
 .x +- .050
 .xx +- .010
 .xxx +- .005

Mat : 5052 Alum.